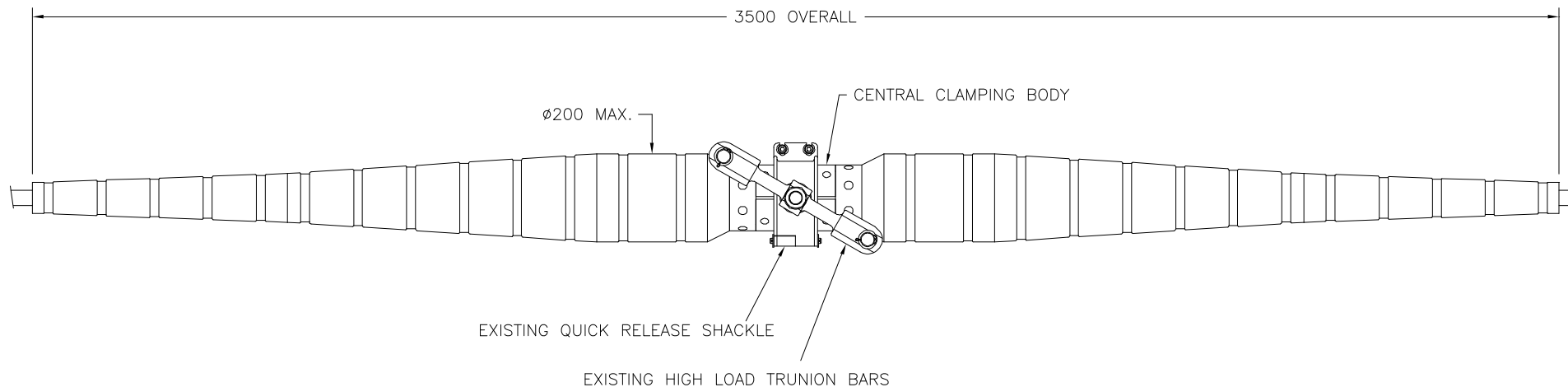


DRWG No
50-3116-01

THIRD ANGLE PROJECTION. DIMNS. IN MM



FULLY RETROFITTABLE
EASY TO FIT TO STANDING CABLES
FITS CABLES UP TO Ø46

MATERIALS: BRONZE AND POLYURETHANE

AXIAL LOAD 15000KG
(NO HELICAL RODS)

CABLE PROTECTION PERFORMANCE: R600 AT± 45° AT 5000kg

DATE 21Sept'01				CWA DESIGN COPYRIGHT NOT TO BE USED OR RE- PRODUCED WITHOUT EXPRESS PERMISSION FROM CWA	TOLERANCES :- UNLESS OTHERWISE STATED NO DEC PLACE ±0.5 ANGULAR ±1/4° 1 DEC PLACE ± 0.3 2 DEC PLACE ±0.15 HOLES UP TO 12.7mm +0.10mm -0 ALL COAXIAL DIAS CONCENTRIC WITHIN 0.05mm ALL HOLES ON PITCH CIRCLES WITHIN 0.10mm OF TRUE POS.	REMOVE ALL SHARP EDGES WITH 0.40 RAD OR CHAMFER UNLESS OTHERWISE STATED	MATERIAL	FINISH	SURFACE FINISH 0.8/ UNLESS OTHERWISE STATED
DRAWN fjj							DRWG No. 50-3116-01		
SCALE NTS	21Sept'01		1	CWA PRODUCTS LIMITED HOOK BASINGSTOKE HANTS	TITLE FRICTION GRIP TOW POINT PROTECTOR (FGTPP)				
CHECKED	DATE	C.NOTE	ISS						