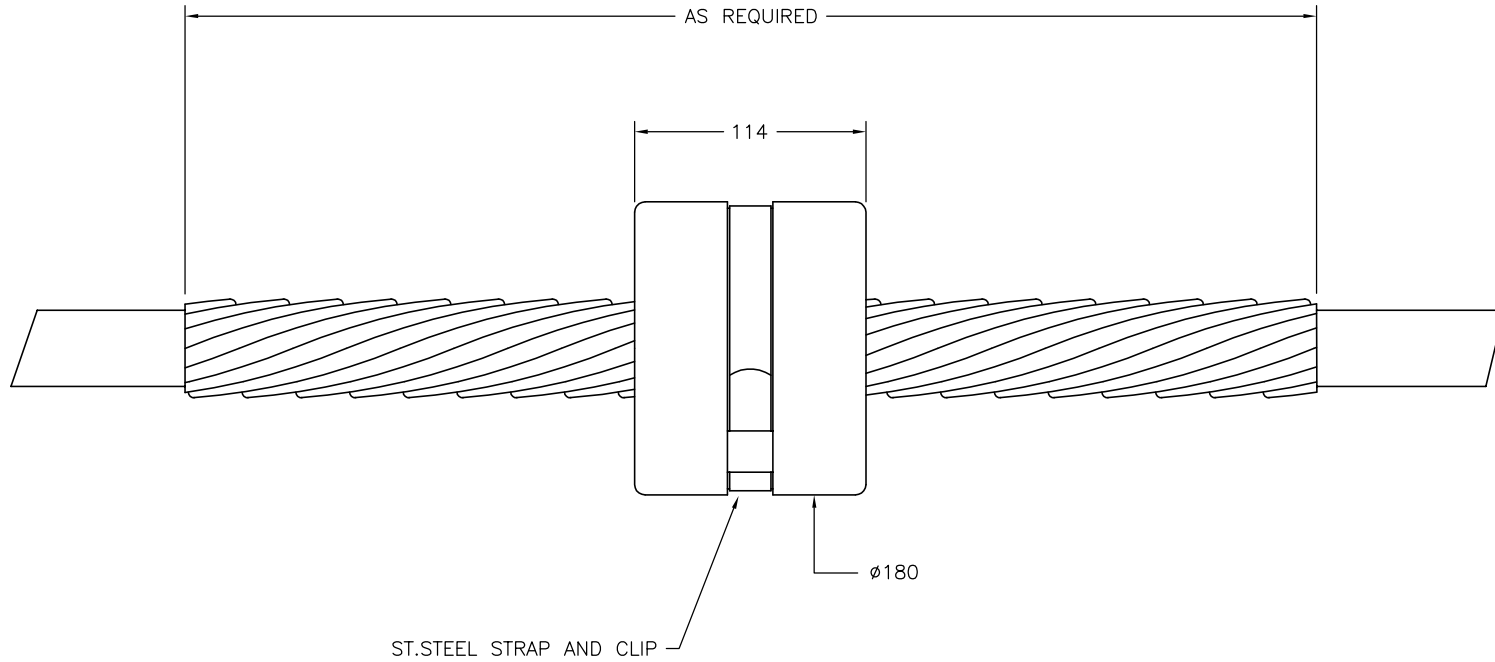


DRWG No
50-3052-03

THIRD ANGLE PROJECTION. DIMNS. IN MM



Ø72.0 CABLE
Ø5.4 HELICAL ROD

DATE 2July'98				CWA DESIGN COPYRIGHT NOT TO BE USED OR RE- PRODUCED WITHOUT EXPRESS PERMISSION FROM CWA	TOLERANCES :- UNLESS OTHERWISE STATED NO DEC PLACE ±0.5 ANGULAR ±1/4° 1 DEC PLACE ±0.3 2 DEC PLACE ±0.15 HOLES UP TO 12.7mm +0.10mm -0 ALL COAXIAL DIAS CONCENTRIC WITHIN 0.05mm ALL HOLES ON PITCH CIRCLES WITHIN 0.10mm OF TRUE POS.	REMOVE ALL SHARP EDGES WITH 0.40 RAD OR CHAMFER UNLESS OTHERWISE STATED	MATERIAL	FINISH	SURFACE FINISH 0.8 UNLESS OTHERWISE STATED
DRAWN fjj			AS COMPONENT				DRWG No. 50-3052-03		
SCALE NTS	2July'98		1				TITLE CABLE STOPPER		
CHECKED	DATE	C.NOTE	ISS	CWA PRODUCTS LIMITED HOOK BASINGSTOKE HANTS					