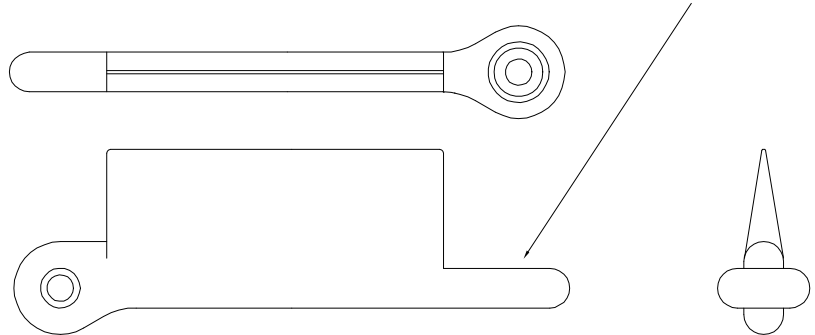


IMPORTANT:

DO NOT CLAMP OR RESTRICT MOVEMENT.
BOTH ENDS MUST BE FREE TO PIVOT.



DATE	16 Oct'98		
DRAWN	fjj		
SCALE	NTS	16 Oct'98	1
CHECKED	DATE	C.NOTE	ISS

CWA DESIGN COPYRIGHT
NOT TO BE USED OR RE-
PRODUCED WITHOUT EXPRESS
PERMISSION FROM CWA

TOLERANCES :- UNLESS OTHERWISE STATED
 NO DEC PLACE ±0.5 ANGULAR ±1/4°
 1 DEC PLACE ±0.3 2 DEC PLACE ±0.15
 HOLES UP TO 12.7mm +0.10mm -0
 ALL COAXIAL DIAS CONCENTRIC WITHIN 0.05mm
 ALL HOLES ON PITCH CIRCLES WITHIN 0.10mm OF TRUE POS.

REMOVE ALL SHARP
EDGES WITH 0.40 RAD
OR CHAMFER UNLESS
OTHERWISE STATED

MATERIAL

FINISH

DRWG No. 50-3040-02

SURFACE FINISH
D.B.
UNLESS OTHERWISE STATED

CWA PRODUCTS LIMITED HOOK BASINGSTOKE HANTS

TITLE INSTALLATION INFORMATION