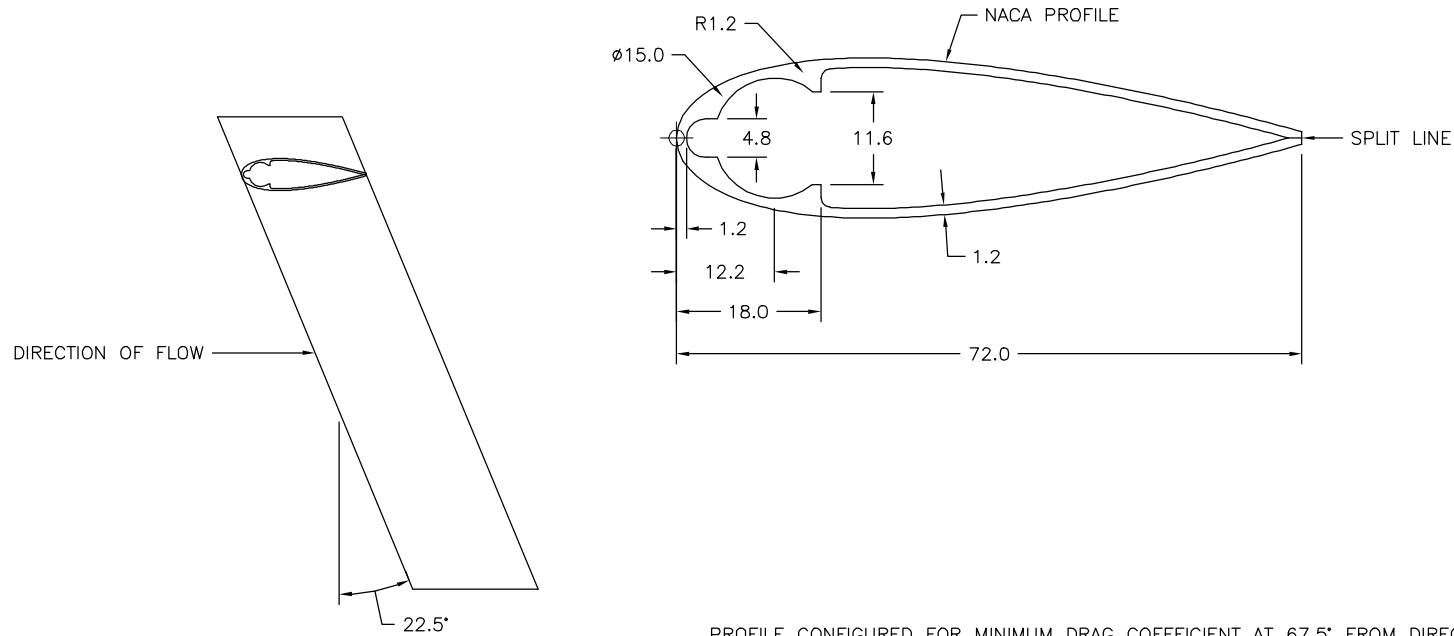


DRWG No  
10-3582

THIRD ANGLE PROJECTION. DIMNS. IN MM



PROFILE CONFIGURED FOR MINIMUM DRAG COEFFICIENT AT 67.5° FROM DIRECTION OF WATER FLOW

Cd AT 67.5° 0.123  
Cd AT 45° 0.31  
Cd AT 90° 0.31

DATE 27Jul'01				<p>CWA DESIGN COPYRIGHT NOT TO BE USED OR RE- PRODUCED WITHOUT EXPRESS PERMISSION FROM CWA</p> <p>TOLERANCES :- UNLESS OTHERWISE STATED NO DEC PLACE ±0.5 ANGULAR ±1/4° 1 DEC PLACE ±0.3 2 DEC PLACE ±0.15 HOLES UP TO 12.7mm +0.10mm -0 ALL COAXIAL DIAS CONCENTRIC WITHIN 0.05mm ALL HOLES ON PITCH CIRCLES WITHIN 0.10mm OF TRUE POS.</p> <p>REMOVE ALL SHARP EDGES WITH 0.40 RAD OR CHAMFER UNLESS OTHERWISE STATED</p>	MATERIAL  TBD	FINISH  DRWG No. 10-3582	SURFACE FINISH 0.8 UNLESS OTHERWISE STATED
DRAWN fjj	16 Oct'01		2				
SCALE NTS	27Jul'01		1				
CHECKED	DATE	C.NOTE	ISS		<p><b>CWA PRODUCTS LIMITED HOOK BASINGSTOKE HANTS</b></p>		TITLE <p>∅15/13 CABLE EXTRUDED FAIRING SECTION</p>