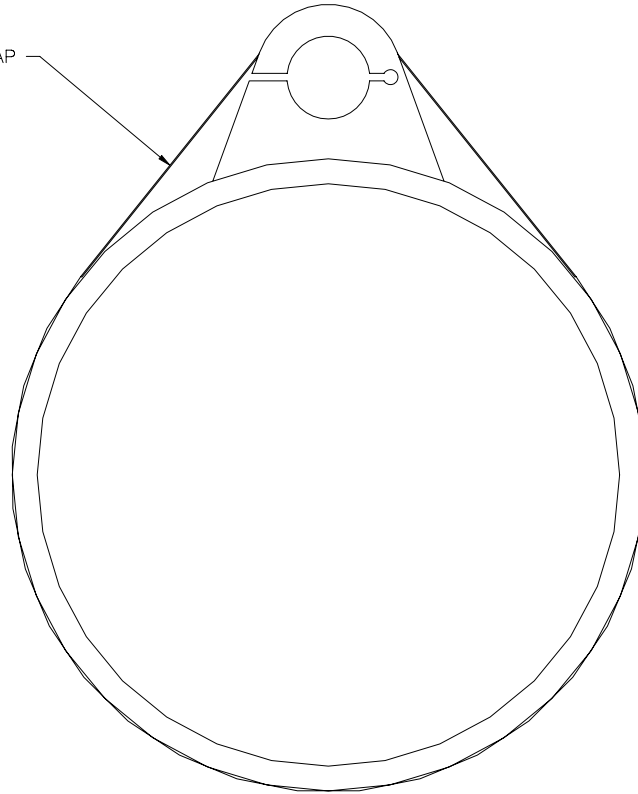


DRWG No
10-3277

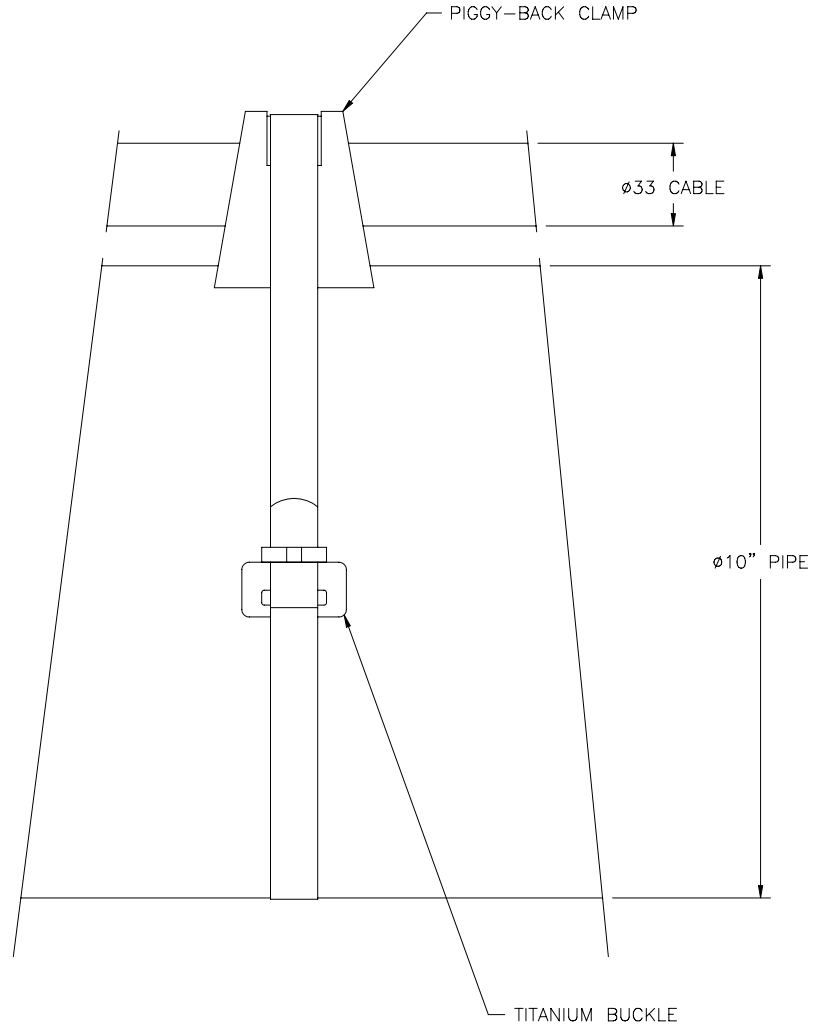
THIRD ANGLE PROJECTION. DIMNS. IN MM

19 WIDE TITANIUM STRAP



STRAP LENGTH 1000 OVERALL

PIGGY-BACK CLAMP



ø33 CABLE

ø10" PIPE

TITANIUM BUCKLE

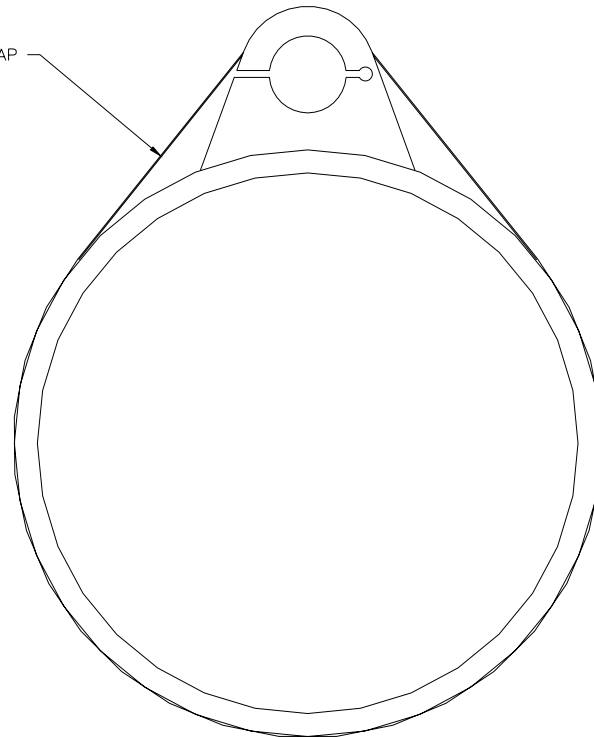
DATE 1Dec'03				CWA DESIGN COPYRIGHT NOT TO BE USED OR RE- PRODUCED WITHOUT EXPRESS PERMISSION FROM CWA	TOLERANCES :- UNLESS OTHERWISE STATED NO DEC PLACE ±0.5 ANGULAR ±1/4° 1 DEC PLACE ± 0.3 2 DEC PLACE ±0.15 HOLES UP TO 12.7mm +0.10mm -0 ALL COAXIAL DIAS CONCENTRIC WITHIN 0.05mm ALL HOLES ON PITCH CIRCLES WITHIN 0.10mm OF TRUE POS.	REMOVE ALL SHARP EDGES WITH 0.40 RAD OR CHAMFER UNLESS OTHERWISE STATED	MATERIAL	FINISH	SURFACE FINISH 0.8 UNLESS OTHERWISE STATED
DRAWN fjj							DRWG No. 10-3277		
SCALE NTS	1Dec'03		1	<i>CWA PRODUCTS LIMITED HOOK BASINGSTOKE HANTS</i>			TITLE ø33/ø254 STAND-OFF CLAMP		
CHECKED	DATE	C.NOTE	ISS						

DRWG No

10-3277

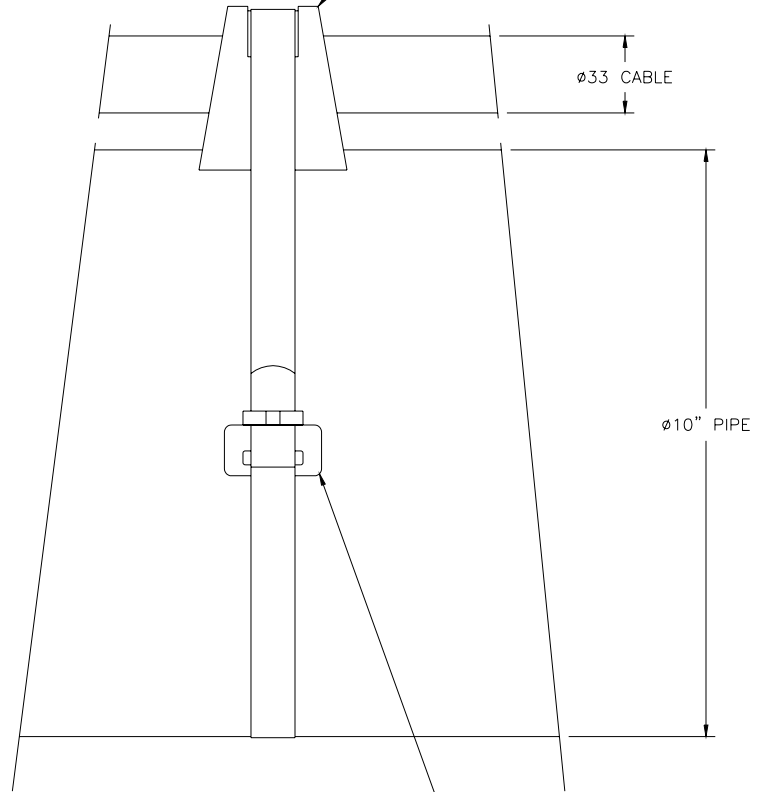
THIRD ANGLE PROJECTION. DIMNS. IN MM

19 WIDE TITANIUM STRAP



STRAP LENGTH 1000 OVERALL

PIGGY-BACK CLAMP



Ø33 CABLE

Ø10" PIPE

TITANIUM BUCKLE

DATE	1Dec'03			CWA DESIGN COPYRIGHT NOT TO BE USED OR RE- PRODUCED WITHOUT EXPRESS PERMISSION FROM CWA	TOLERANCES :- UNLESS OTHERWISE STATED NO DEC PLACE ±0.5 ANGULAR ±1/4 1 DEC PLACE ± 0.3 2 DEC PLACE ±0.15 HOLES UP TO 12.7mm +0.10mm -0 ALL COAXIAL DIAS CONCENTRIC WITHIN 0.05mm ALL HOLES ON PITCH CIRCLES WITHIN 0.10mm OF TRUE POS.	REMOVE ALL SHARP EDGES WITH 0.40 RAD OR CHAMFER UNLESS OTHERWISE STATED	MATERIAL	FINISH	SURFACE FINISH 0.8 UNLESS OTHERWISE STATED		
DRAWN	fjj									DRWG No.	10-3277
SCALE	NTS	1Dec'03	1							TITLE	Ø33/Ø254 STAND-OFF CLAMP
CHECKED		DATE	C.NOTE				ISS	CWA PRODUCTS LIMITED HOOK BASINGSTOKE HANTS			