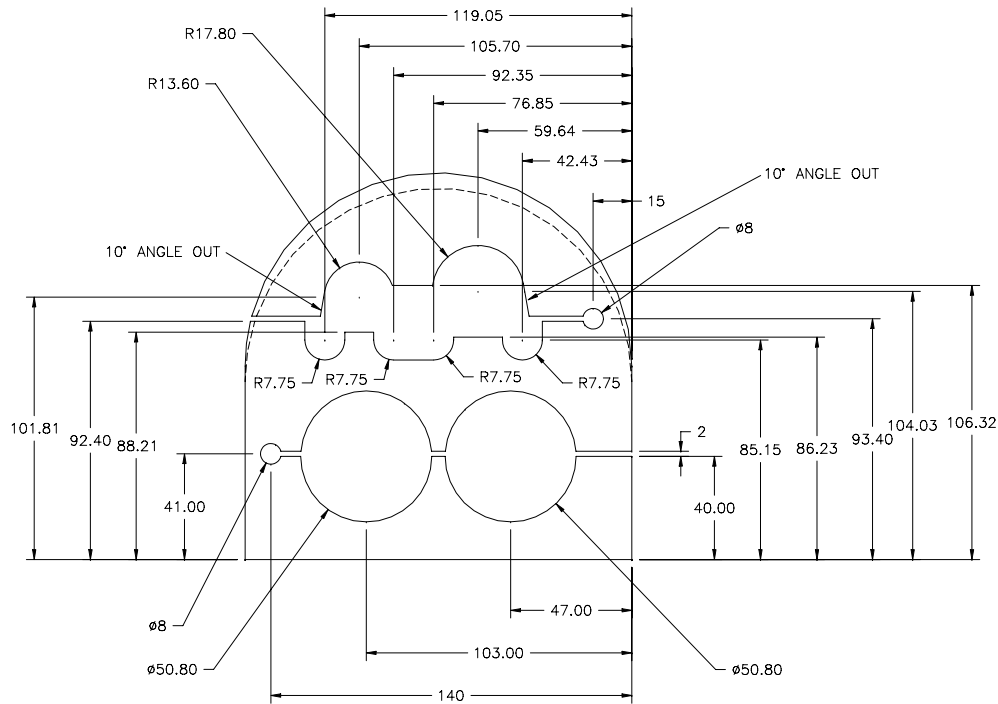


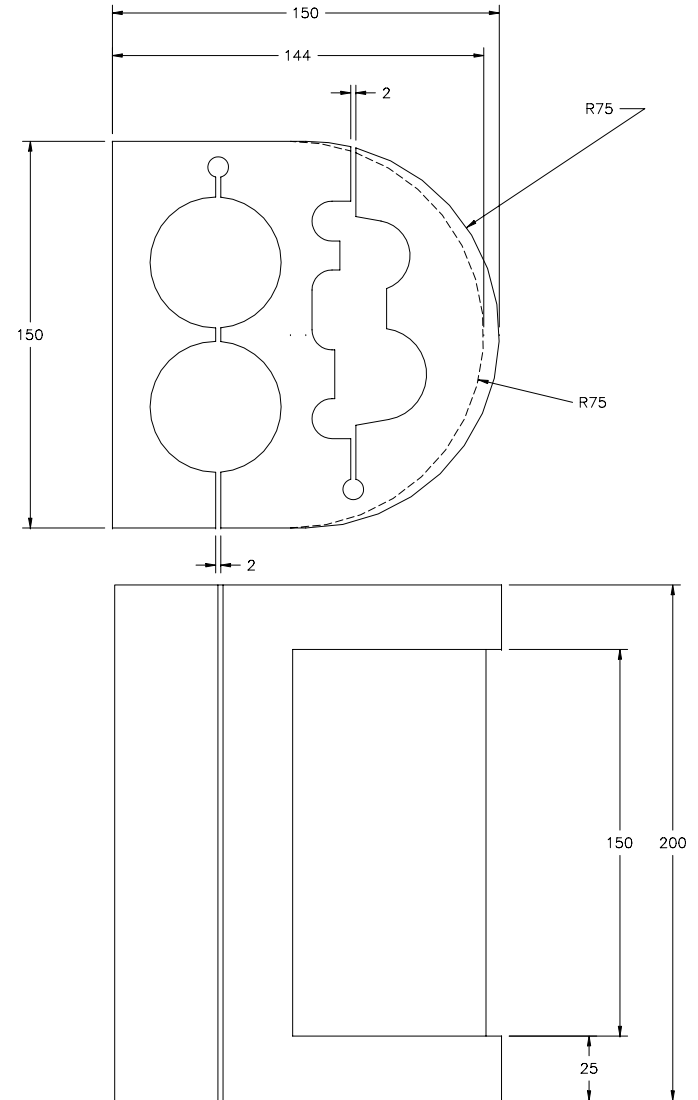
DRWG No  
10-3222

THIRD ANGLE PROJECTION. DIMNS. IN MM



DIMS ARE TO HOLE CENTRES  
WHERE APPROPRIATE

BP Ref. 1410-37-RI-DG-6102



DATE	7May'03		
DRAWN	fjj	7Jul'03	3
SCALE	NTS	19May'03	2
CHECKED		7May'03	1
	DATE	C.NOTE	ISS

CWA DESIGN COPYRIGHT  
NOT TO BE USED OR RE-  
PRODUCED WITHOUT EXPRESS  
PERMISSION FROM CWA

TOLERANCES :- UNLESS OTHERWISE STATED  
NO DEC PLACE ±0.5 ANGULAR ±1/4°  
1 DEC PLACE ±0.3 2 DEC PLACE ±0.15  
HOLES UP TO 12.7mm +0.10mm -0  
ALL COAXIAL DIAS CONCENTRIC WITHIN 0.05mm  
ALL HOLES ON PITCH CIRCLES WITHIN 0.10mm OF TRUE POS.

REMOVE ALL SHARP  
EDGES WITH 0.40 RAD  
OR CHAMFER UNLESS  
OTHERWISE STATED

MATERIAL  
85/90 SHORE POLYURETHANE  
COLOUR ORANGE

FINISH  
DRWG No.  
10-3222

SURFACE  
FINISH  
0.8  
UNLESS  
OTHERWISE  
STATED

**CWA PRODUCTS LIMITED HOOK BASINGSTOKE HANTS**

TITLE  
MUTIPLE DIAMETER CABLE SADDLE CLAMP DETAILS