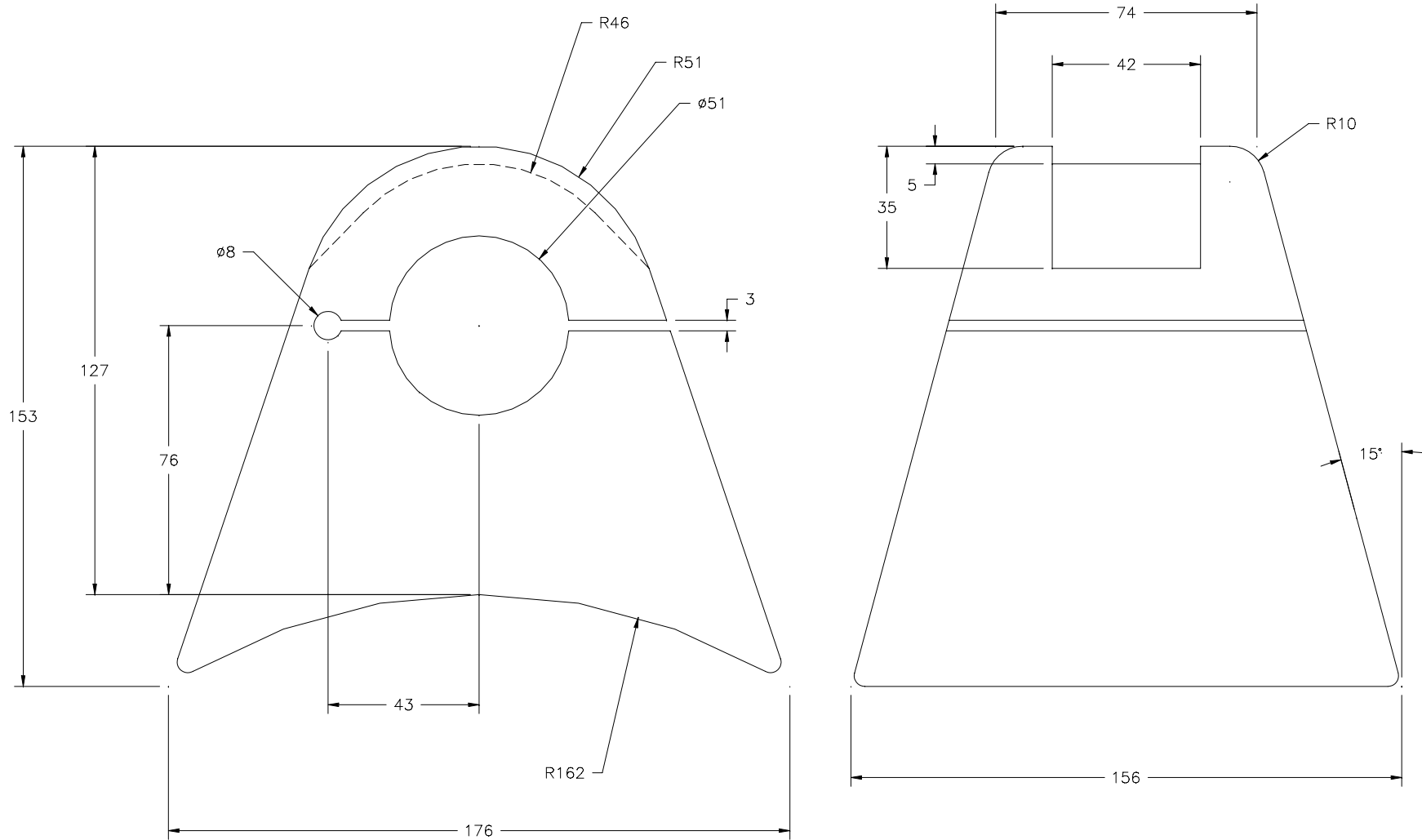


DRWG No
10-3189

THIRD ANGLE PROJECTION. DIMNS. IN MM



RADII OF UP TO R3 ALLOWABLE ON ALL EDGES
DIMENSIONS SHOWN TO INTERSECTIONS

DATE 15FEB'03	17Jun'03		4	CWA DESIGN COPYRIGHT NOT TO BE USED OR RE- PRODUCED WITHOUT EXPRESS PERMISSION FROM CWA	TOLERANCES :- UNLESS OTHERWISE STATED NO DEC PLACE ± 0.5 ANGULAR $\pm 1/4^\circ$ 1 DEC PLACE ± 0.3 2 DEC PLACE ± 0.15 HOLES UP TO 12.7mm $+0.10\text{mm} -0$ ALL COAXIAL DIAS CONCENTRIC WITHIN 0.05mm ALL HOLES ON PITCH CIRCLES WITHIN 0.10mm OF TRUE POS.	REMOVE ALL SHARP EDGES WITH 0.40 RAD OR CHAMFER UNLESS OTHERWISE STATED	MATERIAL	FINISH	SURFACE FINISH 0.8/ UNLESS OTHERWISE STATED
DRAWN fjj	7May'03		3				85/90 SHORE POLYURETHANE COLOUR ORANGE	DRWG No. 10-3189 (1410-37-RI-DG-6100)	
SCALE NTS	3 Mar'03		2				TITLE		
CHECKED	18FEB'03		1				$\phi 324/\phi 50$ SADDLE CLAMP ASSY.		
				CWA PRODUCTS LIMITED HOOK BASINGSTOKE HANTS					