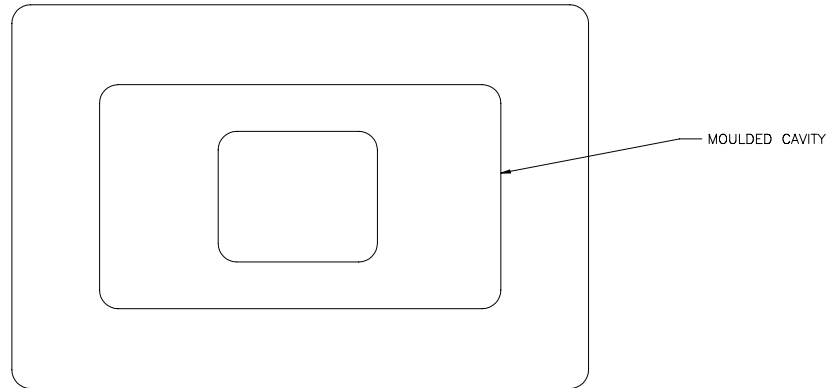
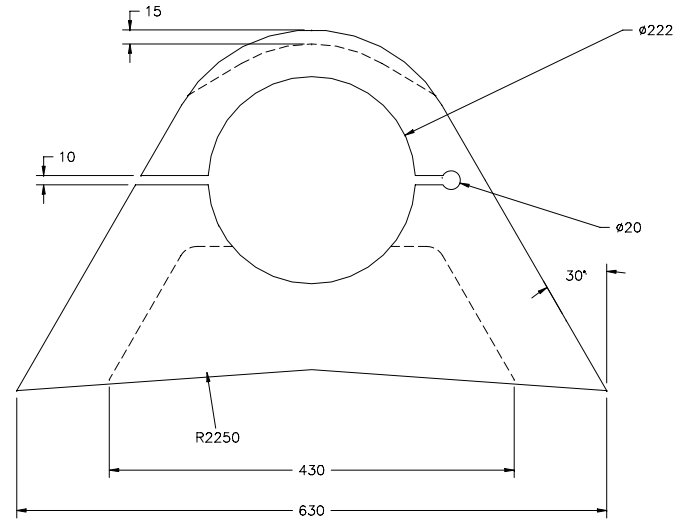
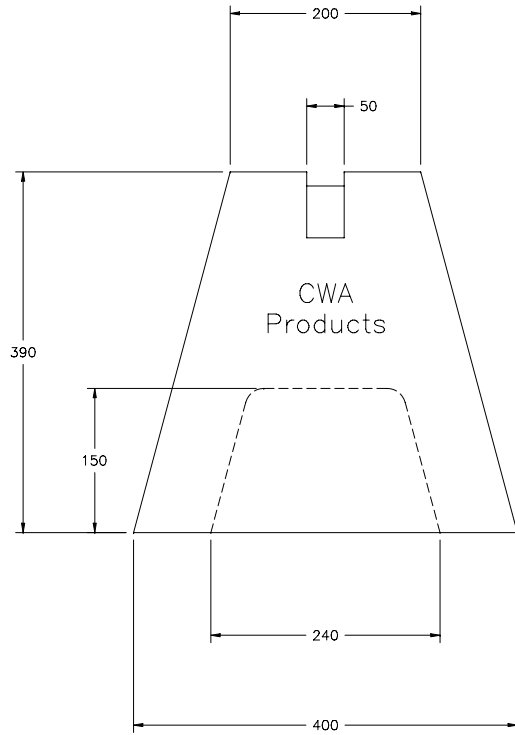


DRWG No  
10-3153

THIRD ANGLE PROJECTION. DIMNS. IN MM



DATE 31Oct'02				CWA DESIGN COPYRIGHT NOT TO BE USED OR RE- PRODUCED WITHOUT EXPRESS PERMISSION FROM CWA	TOLERANCES :- UNLESS OTHERWISE STATED NO DEC PLACE ±0.5      ANGULAR ±1/4° 1 DEG PLACE ±0.3      2 DEC PLACE ±0.15 HOLES UP TO 12.7mm +0.10mm -0 ALL COAXIAL DIAS CONCENTRIC WITHIN 0.05mm ALL HOLES ON PITCH CIRCLES WITHIN 0.10mm OF TRUE POS.	REMOVE ALL SHARP EDGES WITH 0.40 RAD OR CHAMFER UNLESS OTHERWISE STATED	MATERIAL	FINISH	SURFACE FINISH 0.8 UNLESS OTHERWISE STATED
DRAWN fjj							CG9729/B9M10 BAULE PPG SYSTEM	DRWG No. 10-3153	
SCALE NTS	31Oct'02		1	<b>CWA PRODUCTS LIMITED HOOK BASINGSTOKE HANTS</b>			TITLE	ø222/4500 PIPE CLAMP	
CHECKED	DATE	C.NOTE	ISS						