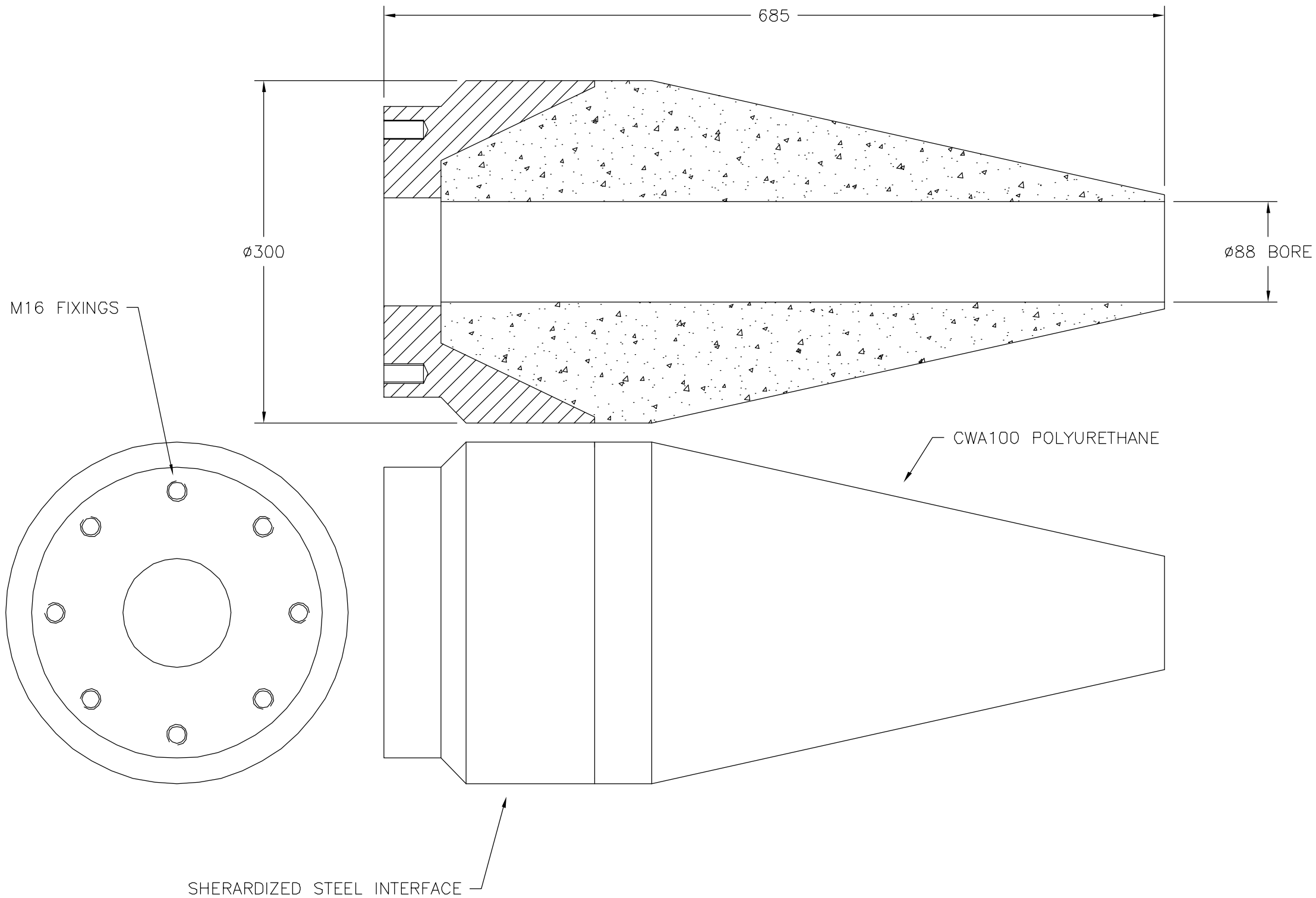


DRWG No  
10-2949

THIRD ANGLE PROJECTION. DIMNS. IN MM



DATE	5 May'00		
DRAWN	fjj		
SCALE	NTS	5 May'00	1
CHECKED		DATE	C.NOTE
			ISS

CWA DESIGN COPYRIGHT  
NOT TO BE USED OR RE-  
PRODUCED WITHOUT EXPRESS  
PERMISSION FROM CWA

TOLERANCES :- UNLESS OTHERWISE STATED  
NO DEC PLACE ±0.5 ANGULAR ±¼°  
1 DEC PLACE ± 0.3 2 DEC PLACE ±0.15  
HOLES UP TO 12.7mm +0.10mm -0  
ALL COAXIAL DIAS CONCENTRIC WITHIN 0.05mm  
ALL HOLES ON PITCH CIRCLES WITHIN 0.10mm OF TRUE POS.

REMOVE ALL SHARP  
EDGES WITH 0.40 RAD  
OR CHAMFER UNLESS  
OTHERWISE STATED

MATERIAL

FINISH  
DRWG No. 10-2949

SURFACE  
FINISH  
0.8  
UNLESS  
OTHERWISE  
STATED

**CWA PRODUCTS LIMITED HOOK BASINGSTOKE HANTS**

TITLE  
ROPE TERMINATION BEND STIFFENER