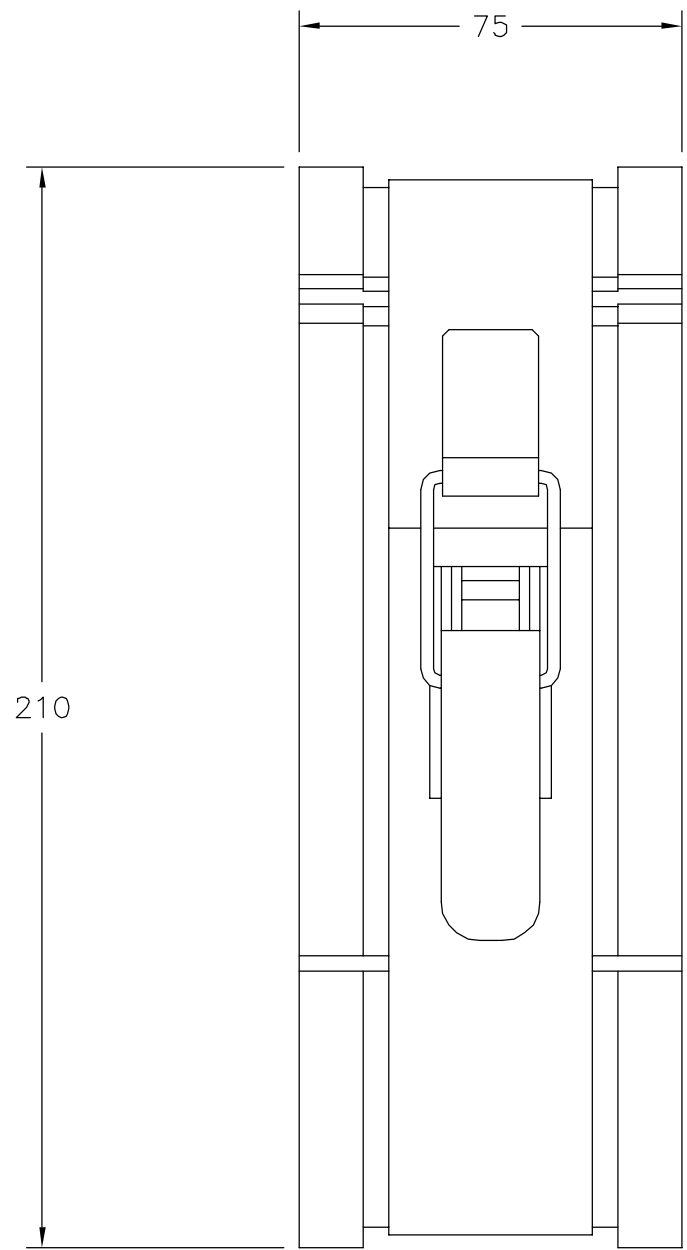
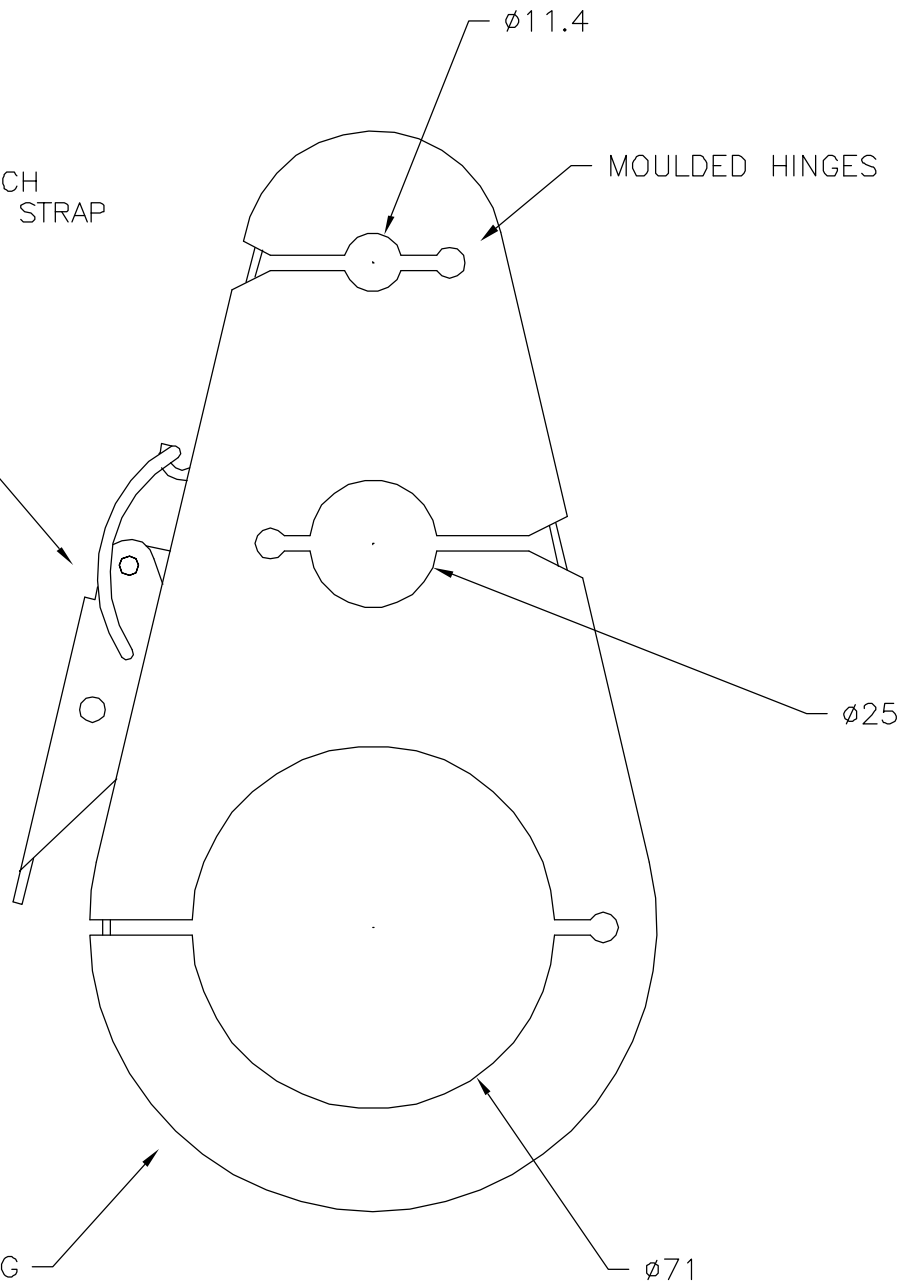


DRWG No
10-2903

THIRD ANGLE PROJECTION. DIMNS. IN MM



QUICK RELEASE ST.STEEL LATCH
ON PRESET LENGTH ST.STEEL STRAP



ONE PIECE POLYURETHANE MOULDING

WEIGHT IN AIR 1kg

DATE 28Sept'99				<p>CWA DESIGN COPYRIGHT NOT TO BE USED OR RE- PRODUCED WITHOUT EXPRESS PERMISSION FROM CWA</p> <p>CWA PRODUCTS LIMITED HOOK BASINGSTOKE HANTS</p>	<p>TOLERANCES :- UNLESS OTHERWISE STATED NO DEC PLACE ± 0.5 ANGULAR $\pm 1/4^\circ$ 1 DEC PLACE ± 0.3 2 DEC PLACE ± 0.15 HOLES UP TO 12.7mm $+0.10\text{mm} -0$ ALL COAXIAL DIAS CONCENTRIC WITHIN 0.05mm ALL HOLES ON PITCH CIRCLES WITHIN 0.10mm OF TRUE POS.</p>	<p>REMOVE ALL SHARP EDGES WITH 0.40 RAD OR CHAMFER UNLESS OTHERWISE STATED</p>	MATERIAL	FINISH	<p>SURFACE FINISH 0.8 UNLESS OTHERWISE STATED</p>
DRAWN fjj							CWA100 POLYURETHANE AND ST.STEEL		
SCALE NTS	28Sept'99		1				DRWG No. 10-2903		
CHECKED	DATE	C.NOTE	ISS				TITLE DUAL PIGGY-BACK CLAMP		