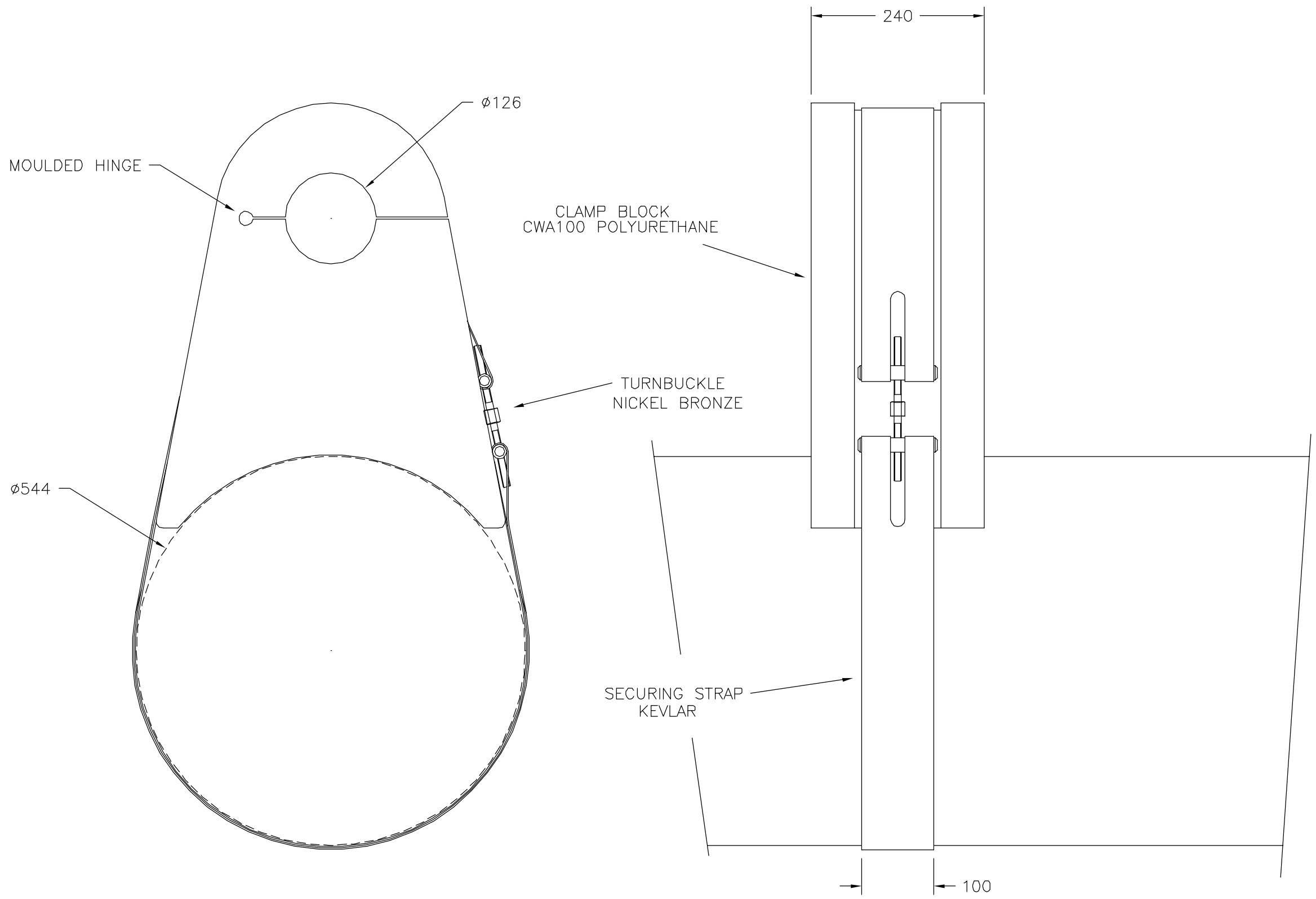


DRWG No
10-2901

THIRD ANGLE PROJECTION. DIMNS. IN MM



DATE	20Sept'99		
DRAWN	fjj		
SCALE	NTS	20Sept'99	1
CHECKED		DATE	C.NOTE
			ISS

CWA DESIGN COPYRIGHT
NOT TO BE USED OR RE-
PRODUCED WITHOUT EXPRESS
PERMISSION FROM CWA

TOLERANCES :- UNLESS OTHERWISE STATED
NO DEC PLACE ±0.5 ANGULAR ±1/4°
1 DEC PLACE ± 0.3 2 DEC PLACE ±0.15
HOLES UP TO 12.7mm +0.10mm -0
ALL COAXIAL DIAS CONCENTRIC WITHIN 0.05mm
ALL HOLES ON PITCH CIRCLES WITHIN 0.10mm OF TRUE POS.

REMOVE ALL SHARP
EDGES WITH 0.40 RAD
OR CHAMFER UNLESS
OTHERWISE STATED

MATERIAL

FINISH
DRWG No. 10-2901

SURFACE
FINISH
0.8
UNLESS
OTHERWISE
STATED

CWA PRODUCTS LIMITED HOOK BASINGSTOKE HANTS

TITLE
PIGGYBACK CLAMP