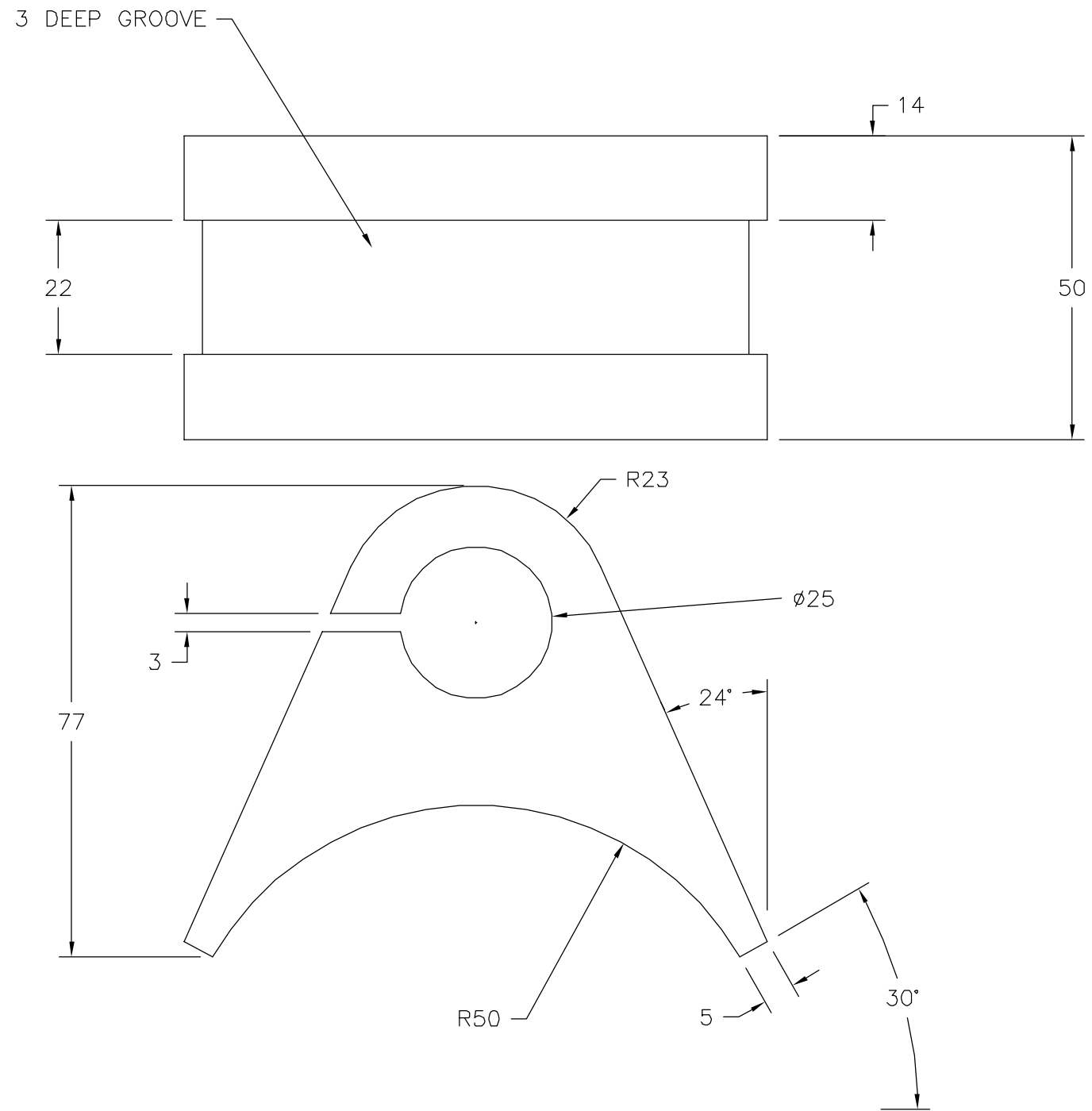


DRWG No
10-2894

THIRD ANGLE PROJECTION. DIMNS. IN MM



USE MOULD TOOL T2894-01

DATE 18Aug'99				<p>CWA DESIGN COPYRIGHT NOT TO BE USED OR RE- PRODUCED WITHOUT EXPRESS PERMISSION FROM CWA</p> <p>CWA PRODUCTS LIMITED HOOK BASINGSTOKE HANTS</p>	<p>TOLERANCES :- UNLESS OTHERWISE STATED NO DEC PLACE ±0.5 ANGULAR ±¼° 1 DEC PLACE ± 0.3 2 DEC PLACE ±0.15 HOLES UP TO 12.7mm +0.10mm -0 ALL COAXIAL DIAS CONCENTRIC WITHIN 0.05mm ALL HOLES ON PITCH CIRCLES WITHIN 0.10mm OF TRUE POS.</p>	<p>REMOVE ALL SHARP EDGES WITH 0.40 RAD OR CHAMFER UNLESS OTHERWISE STATED</p>	MATERIAL	FINISH	<p>SURFACE FINISH 0.8 UNLESS OTHERWISE STATED</p>		
DRAWN fjj										CWA100 POLYURETHANE	DRWG No.
SCALE NTS	18Aug'99		1								10-2894
CHECKED	DATE	C.NOTE	ISS							TITLE	SADDLE