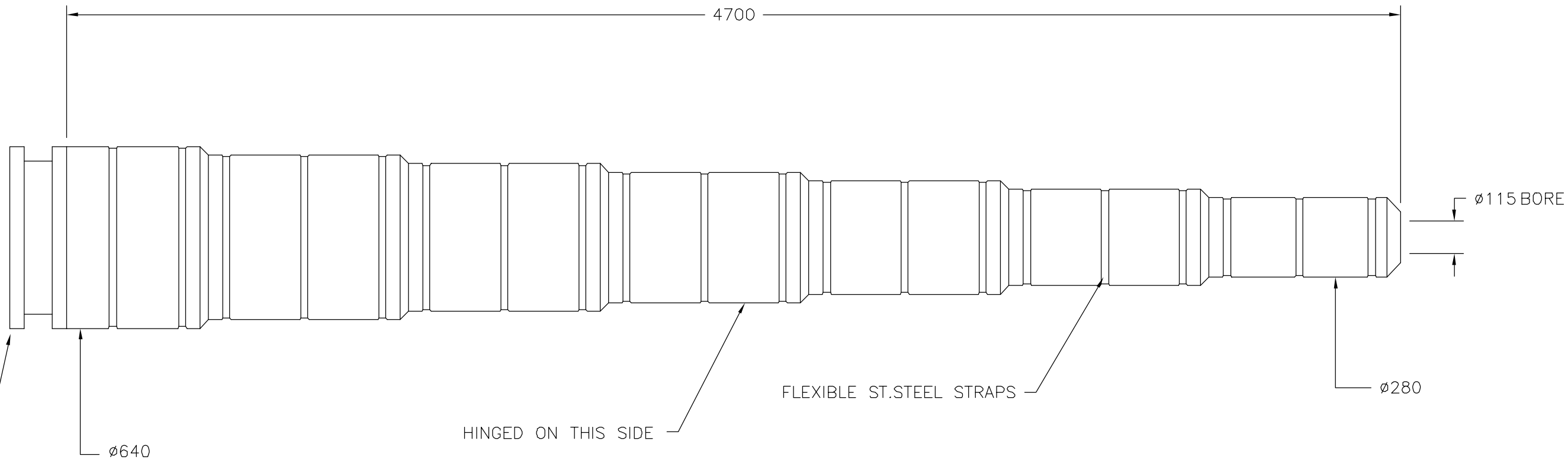


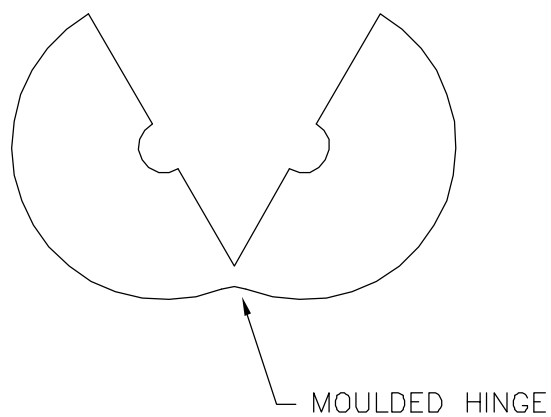
DRWG No
10-2756

THIRD ANGLE PROJECTION. DIMNS. IN MM



STEEL END FITTING CONFIGURED TO SUIT INTERFACE

UNIT HINGED OPEN TO RECEIVE UMBILICAL



MATERIAL CWA 70 POLYURETHANE
 COLOUR BLACK
 WEIGHT IN AIR 1000kg
 WEIGHT IN WATER 250kg
 MOULDED CONSTRUCTION
 DIMENSIONS TO SUIT 1.4Tonnes AT 180°
 RESILIENT MATERIAL WILL NOT BREAK WITH SHOCK LOADS

DATE 18Nov'97				CWA DESIGN COPYRIGHT NOT TO BE USED OR RE- PRODUCED WITHOUT EXPRESS PERMISSION FROM CWA CWA PRODUCTS LIMITED HOOK BASINGSTOKE HANTS	TOLERANCES :- UNLESS OTHERWISE STATED NO DEC PLACE ±0.5 ANGULAR ±¼° 1 DEC PLACE ± 0.3 2 DEC PLACE ±0.15 HOLES UP TO 12.7mm +0.10mm -0 ALL COAXIAL DIAS CONCENTRIC WITHIN 0.05mm ALL HOLES ON PITCH CIRCLES WITHIN 0.10mm OF TRUE POS.	REMOVE ALL SHARP EDGES WITH 0.40 RAD OR CHAMFER UNLESS OTHERWISE STATED	MATERIAL	FINISH	SURFACE FINISH 0.8 UNLESS OTHERWISE STATED
DRAWN fjj							CWA 70 POLYURETHANE AND STEEL		
SCALE NTS	18Nov'97		1				DRWG No. 10-2756		
CHECKED	DATE	C.NOTE	ISS				TITLE BEND STIFFENER FOR ø110 UMBILICAL		